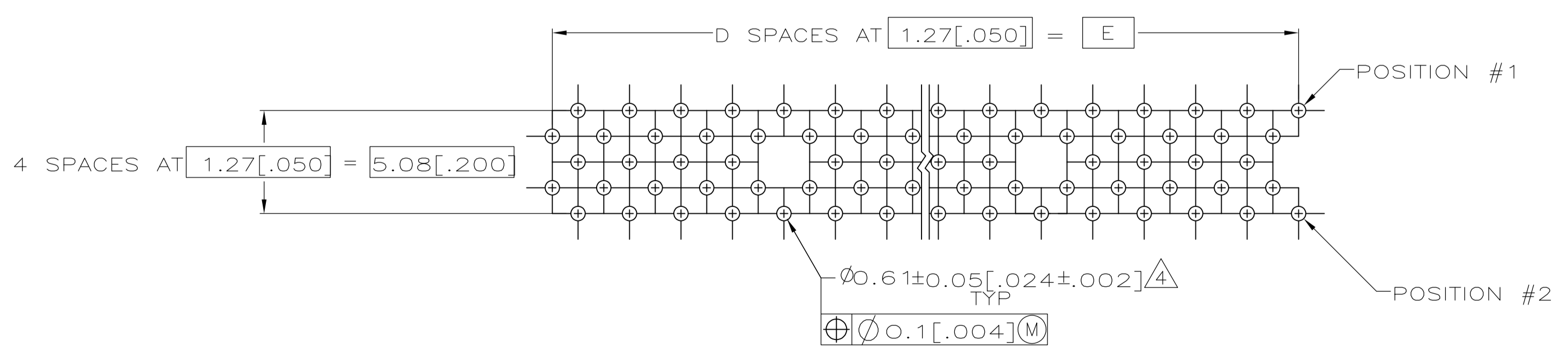
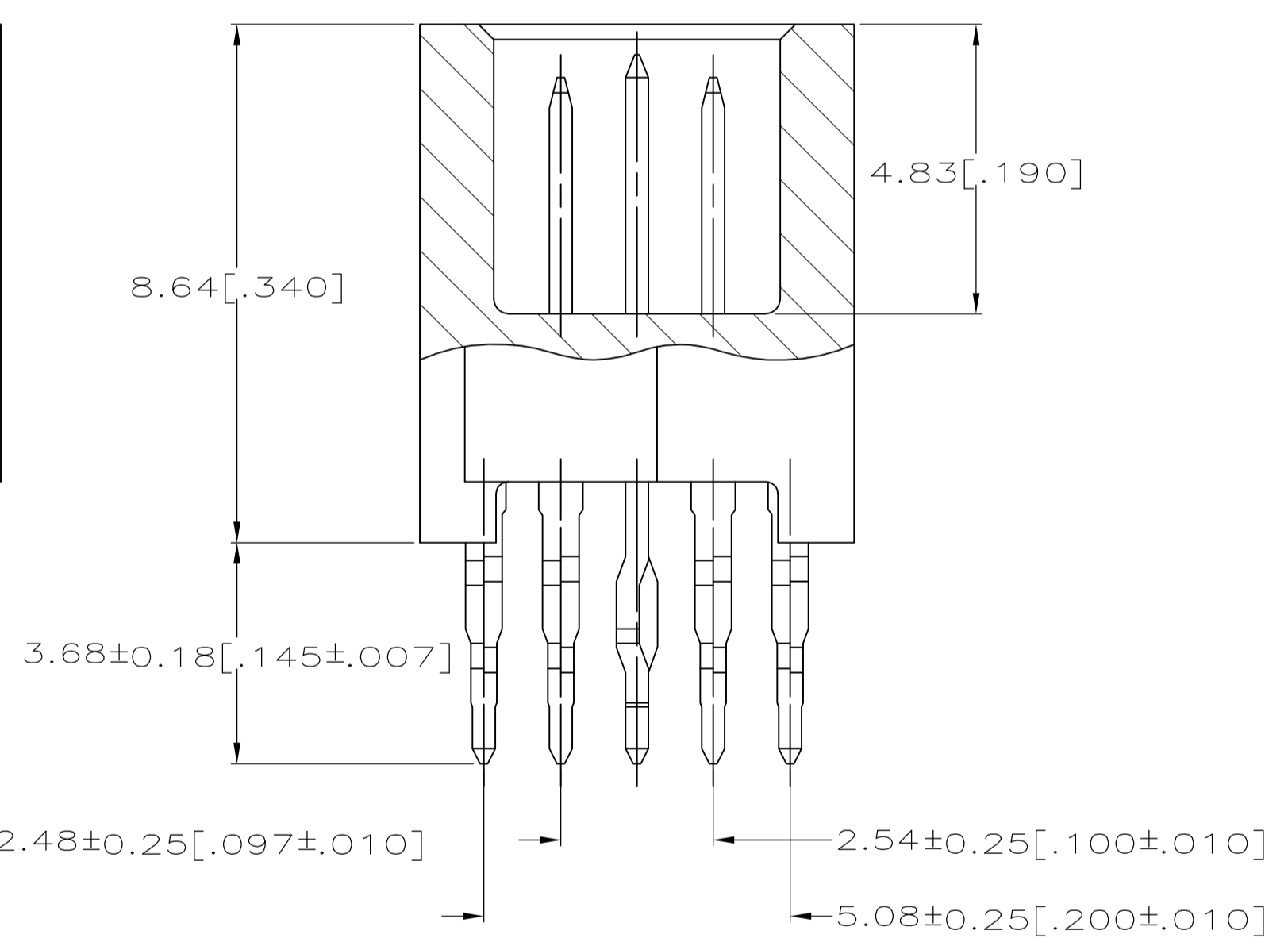
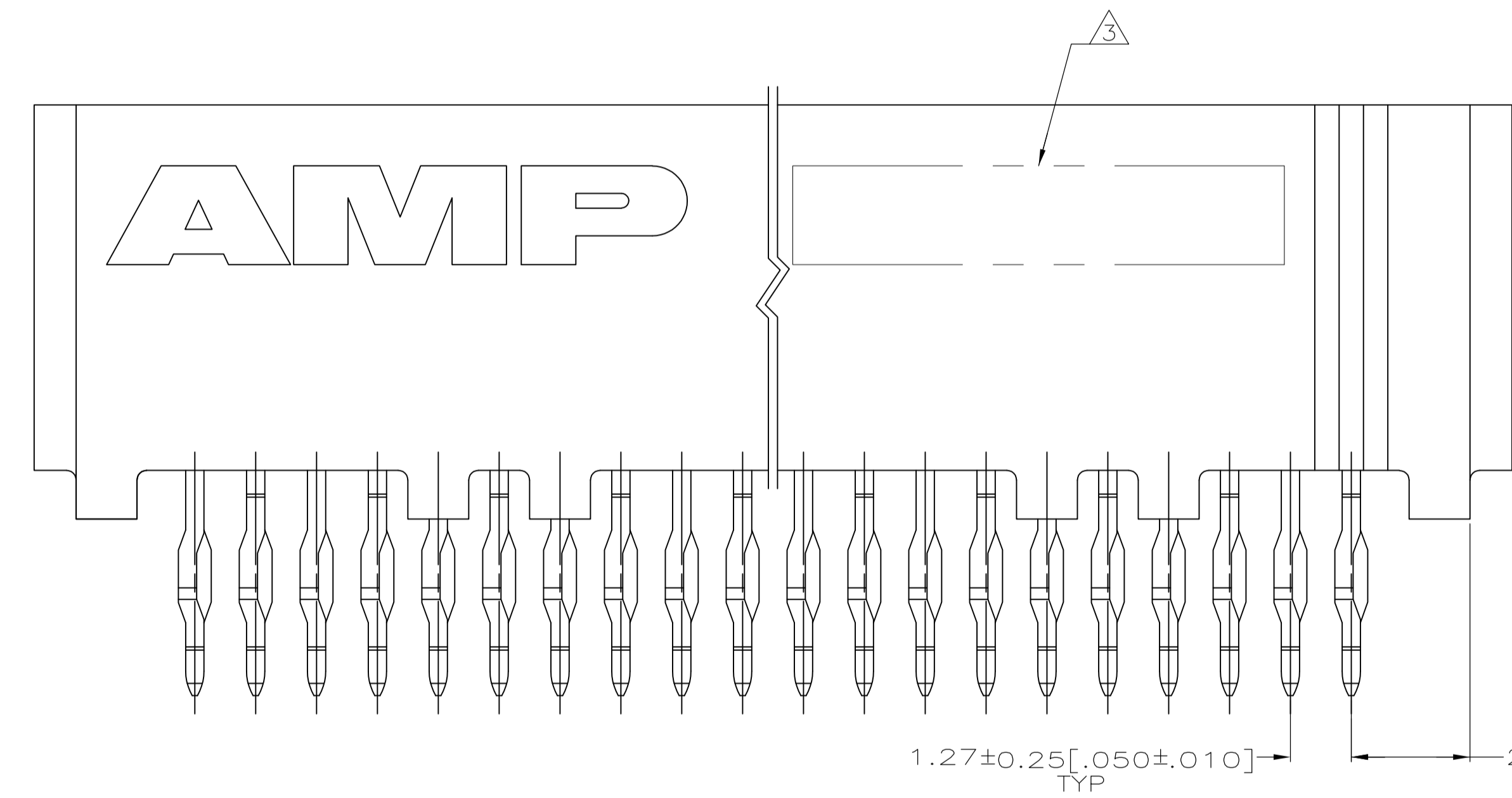


- ① HOUSING: HIGH TEMPERATURE THERMOPLASTIC, COLOR NATURAL.
PIN CONTACTS: PHOSPHOR BRONZE.
GROUND BUSES: PHOSPHOR BRONZE.
- ② PIN CONTACTS: 0.00076[.000030] MIN GOLD IN CONTACT AREA,
0.00063-0.00191[.000025-.000075] TIN-LEAD ON SOLDER TAIL,
ALL OVER 0.00127-0.00254[.000050-.000100] NICKEL ON ENTIRE CONTACT.
- GROUND BUSES: 0.00076[.000030] MIN GOLD IN CONTACT AREA,
0.00063-0.00191[.000025-.000075] TIN-LEAD ON SOLDER TAIL,
ALL OVER 0.00127-0.00254[.000050-.000100] NICKEL ON ENTIRE BUS.
- ③ DATE CODE MARKED IN AREA INDICATED.
- ④ 0.701[.0276] DIA HOLE, PLATE WITH 0.0076-0.0254[.00030-.00100] TIN-LEAD OVER 0.025-0.038[.0010-.0015] COPPER,
0.61±0.05 [.024±.002] DIA HOLE AFTER PLATING.



RECOMMENDED PC BOARD HOLE LAYOUT
 (VIEWED FROM CONNECTOR SIDE)
 SCALE 5:1

OBSOLETE	151.13[5.950]	119	153.62[6.048]	156.08[6.145]	157.84[6.214]	240	1-536274-1
OBSOLETE	138.43[5.450]	109	140.92[5.548]	143.48[5.645]	145.14[5.714]	220	1-536274-0
OBSOLETE	125.73[4.950]	99	128.22[5.048]	130.68[5.145]	132.44[5.214]	200	536274-9
OBSOLETE	113.03[4.450]	89	115.52[4.548]	117.98[4.645]	119.74[4.714]	180	536274-8
	100.33[3.950]	79	102.82[4.048]	105.28[4.145]	107.04[4.214]	160	536274-7
	87.63[3.450]	69	90.12[3.548]	92.58[3.645]	94.34[3.714]	140	536274-6
	74.93[2.950]	59	77.42[3.048]	79.88[3.145]	81.64[3.214]	120	536274-5
	62.23[2.450]	49	64.72[2.548]	67.18[2.645]	68.94[2.714]	100	536274-4
	49.53[1.950]	39	52.02[2.048]	54.48[2.145]	56.24[2.214]	80	536274-3
	36.83[1.450]	29	39.32[1.548]	41.78[1.645]	43.54[1.714]	60	536274-2
	24.13[.950]	19	26.62[1.048]	29.08[1.145]	30.84[1.214]	40	536274-1
	E	D	C	B	A	NO OF POS	PART NUMBER

THIS DRAWING IS A CONTROLLED DOCUMENT.

DIMENSIONS: mm [INCHES]	TOLERANCES UNLESS OTHERWISE SPECIFIED:	DIN J.GERACE 2-12-92	APVD J.GERACE 2-12-92	NAME Tyco Electronics Corporation Harrisburg, PA 17105-3608
0 PLC ± -	1 PLC ± -	2 PLC ± -	3 PLC ± 0.13 [.005]	4 PLC ± -
ANGLES ± -				
MATERIAL ①	FINISH ②	SIZE A1	WEIGHT -	RESTRICTED TO
CUSTOMER DRAWING		SCALE 10:1	SHEET 1 OF 1	REV N1

APPLICATION SPEC: 108-1272
 APPLICATION SPEC: 114-11005
 NAME: PLUG ASSEMBLY, 10.92[.430] STACK, 3.68[.145] ACTION PIN TAIL, BOARD TO BOARD, MICRO-STRIP